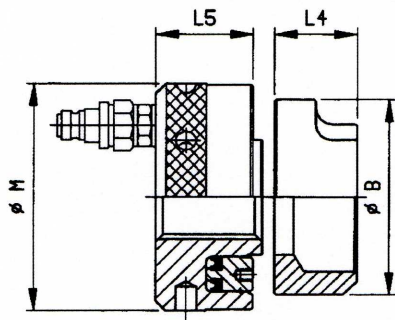


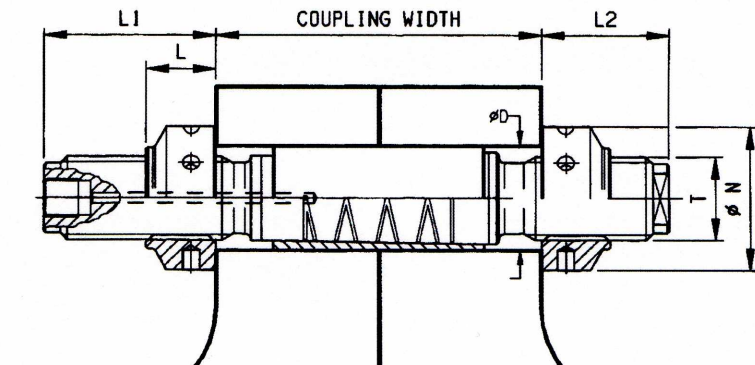
DATA SHEET



PILGRIM™ RADIAL FIT BOLTS



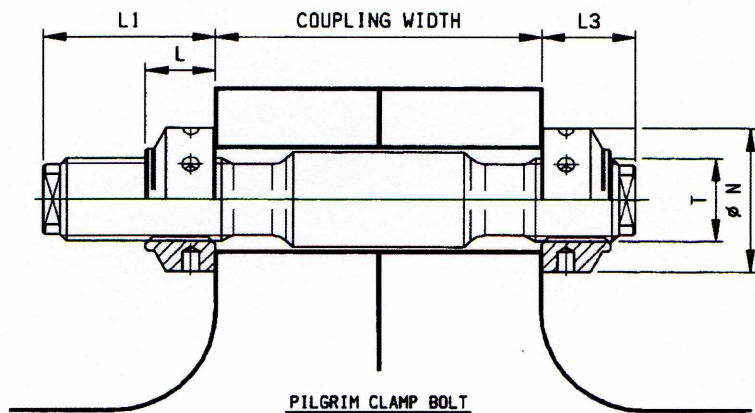
TENSIONING GEAR



PILGRIM RADIAL FIT BOLT

Where applicable, a combination of PILGRIM Radial Fit Bolts and PILGRIM Clamp Bolts can be used.

The sizes shown in the Table are for the standard range of PILGRIM Radial Fit Bolts and are intended for guidance only. Special designs are available to suit customers requirements.



PILGRIM CLAMP BOLT

Nom.Hole Diameter D	Thread T	Nut Dia Ø N	All dimensions shown in millimetres							Tensioning Gear Ø M	Tensioning Gear Ø B	Max Applied Axial Load KN
			Nut Height L	Bolt Stand Outs			Coupling Width					
			L	L1	L2	L3	L4	L5				
40 - 44	M 33 x 3.5	58	27	68	52	38	32.0	39	90	83.0	308	
45 - 47	M 36 x 4	63	29	73	55	41	34.5	42	98	89.0	360	
48 - 51	M 39 x 4	67	32	79	60	44	38.0	45	106	92.0	435	
52 - 54	M 42 x 4.5	72	34	84	63	46	40.5	48	113	98.0	500	
55 - 58	M 45 x 4.5	76	36	89	67	48	42.5	50	120	104.5	588	
59 - 63	M 48 x 5	82	39	97	73	54	46.5	52	127	111.5	660	
64 - 68	M 52 x 5	89	42	104	78	57	50.0	54	137	120.5	795	
69 - 72	M 56 x 5.5	96	45	111	83	60	53.5	55	147	129.5	924	
73 - 78	M 60 x 5.5	102	48	115	88	63	57.0	56	158	139.0	1078	
79 - 83	M 64 x 6	109	52	123	94	68	61.5	58	166	147.5	1210	
84 - 87	M 68 x 6	116	55	130	99	71	65.0	61	177	157.0	1390	
88 - 93	M 72 x 6	122	58	137	104	74	68.5	64	187	166.0	1585	
94 - 97	M 76 x 6	130	61	144	109	77	72.0	67	197	176.0	1790	
98 - 103	M 80 x 6	137	64	152	116	82	76.0	70	208	185.5	2008	
104 - 109	M 85 x 6	147	68	161	123	86	80.5	74	220	198.5	2298	
110 - 116	M 90 x 6	155	72	170	129	90	85.0	78	232	209.5	2610	
117 - 121	M 95 x 6	164	76	179	136	94	90.0	82	245	222.5	2938	
123 - 129	M 100 x 6	172	80	187	142	98	94.5	86	258	234.0	3295	
130 - 135	M 105 x 6	182	84	199	152	105	99.5	89	270	246.5	3656	
136 - 140	M 110 x 6	190	88	208	158	109	104.0	92	283	258.0	4050	
141 - 146	M 115 x 6	199	92	217	165	113	109.0	95	295	270.0	4450	
147 - 150	M 120 x 6	208	96	225	171	117	113.5	98	309	282.0	4880	